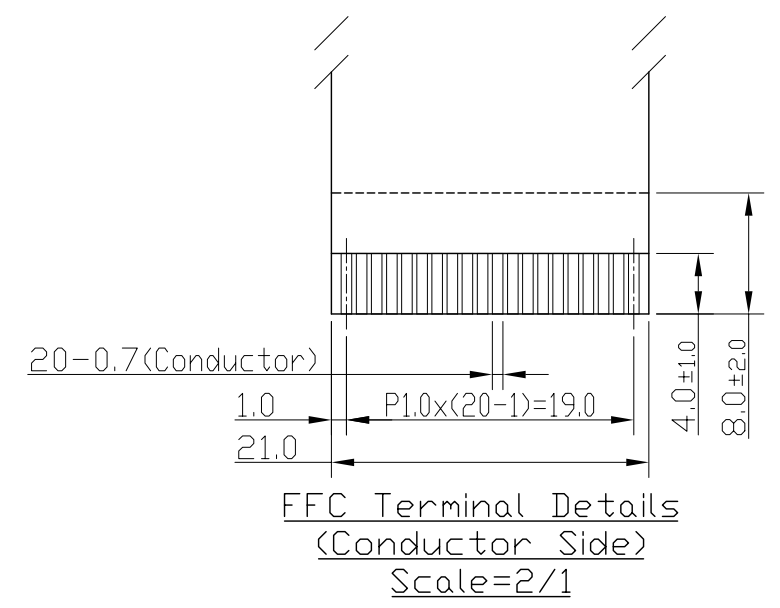
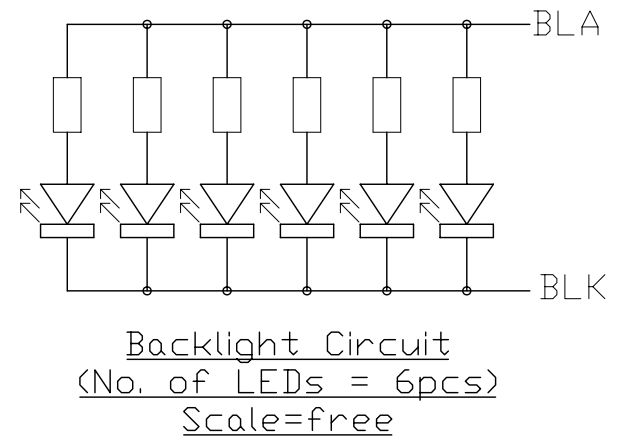


Terminal	
No.	Pin Name
1	VSS
2	VDD
3	V0
4	/WR
5	/RD
6	/CS
7	A0
8	/RES
9	DB0
10	DB1
11	DB2
12	DB3
13	DB4
14	DB5
15	DB6
16	DB7
17	/WAIT
18	VOUT
19	BLA
20	BLK



- Note:
- *1. Display Type : STN, Negative, Transmissive
 - *2. Viewing Direction : 9H
 - *3. Duty : 1/240, Bias : 1/12
 - *4. Backlight Color : White
 - *5. Backlight Supply: 100mA(5.0V TYP.)
 - *6. Operating Voltage : 5.0V
 - *7. Operating Temperature : -10°C~60°C
 - *8. Storage Temperature : -20°C~70°C
 - *9. Driver IC : S1D13700
 - *10. An external VR(25K to 50K) must be connected for Contrast Control
 - *11. Environmental Safe Standard : RoHS



B		
A	Add Metal Frame	Zhou Huifang 2007-09-22
Rev	Note	Date
	LM2068EFC Outline Dwg	
Dwg No.	MK-001784a-1-1	Date 2007-05-22
Scale	Tol.	Unit
3/2	±0.5	mm
Approved	Checked	Paper Size A3
		Drawn Lin Yan

TOPWAY